

Bruner, Cooper & Zuck, Inc.

Stephen M. Bruner, P.E., P.L.S.

Kevan J. Cooper, P.E., P.L.S.

Gregory C. Peterson, P.E., S.E.



Civil Engineers

Structural Engineers

Land Surveyors

ADDENDUM NO. 1
TO THE
PLANS AND SPECIFICATIONS FOR
SANITARY SEWER SYSTEM
BRENTWOOD AND PARKVIEW SUBDIVISIONS
KNOX COUNTY, ILLINOIS

NOTE: Wherein this Addendum conflicts with the "Specifications", dated January 31, 2009, this Addendum shall govern.

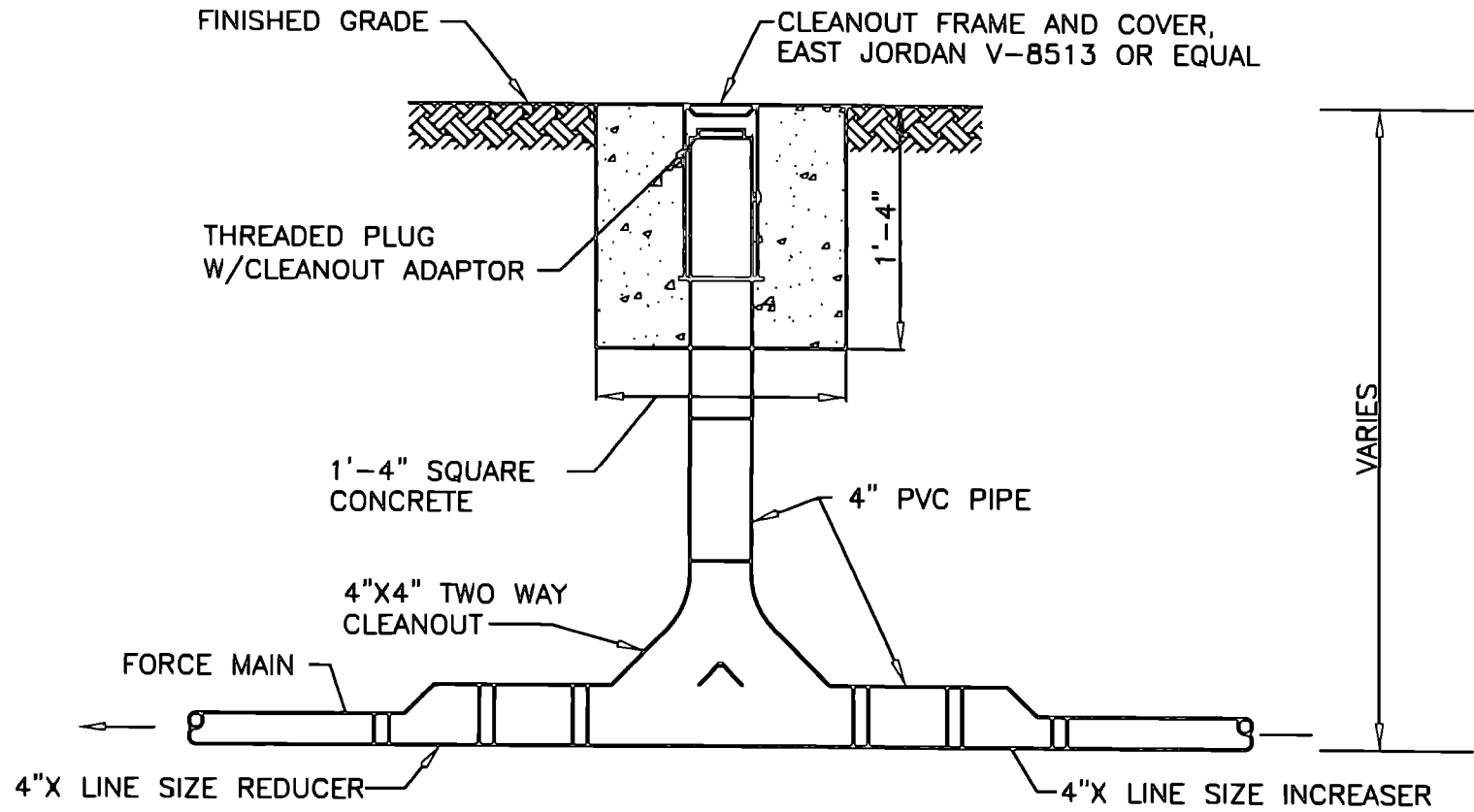
SPECIFICATIONS

1. INFORMATION FOR BIDDERS:
Revise bid opening date from September 11, 2009 to September 18, 2009, same time of day and location.
2. DIVISION 11, SECTION 11010, Page 5, 2.04 C.:
Revised the minimum basin height from 60 inch to 72 inch.
3. DIVISION 50:
Add the attached cleanout details.

PLANS


1. Replace Sheet 38 of 38 with the attached revised Sheet 38 of 38.

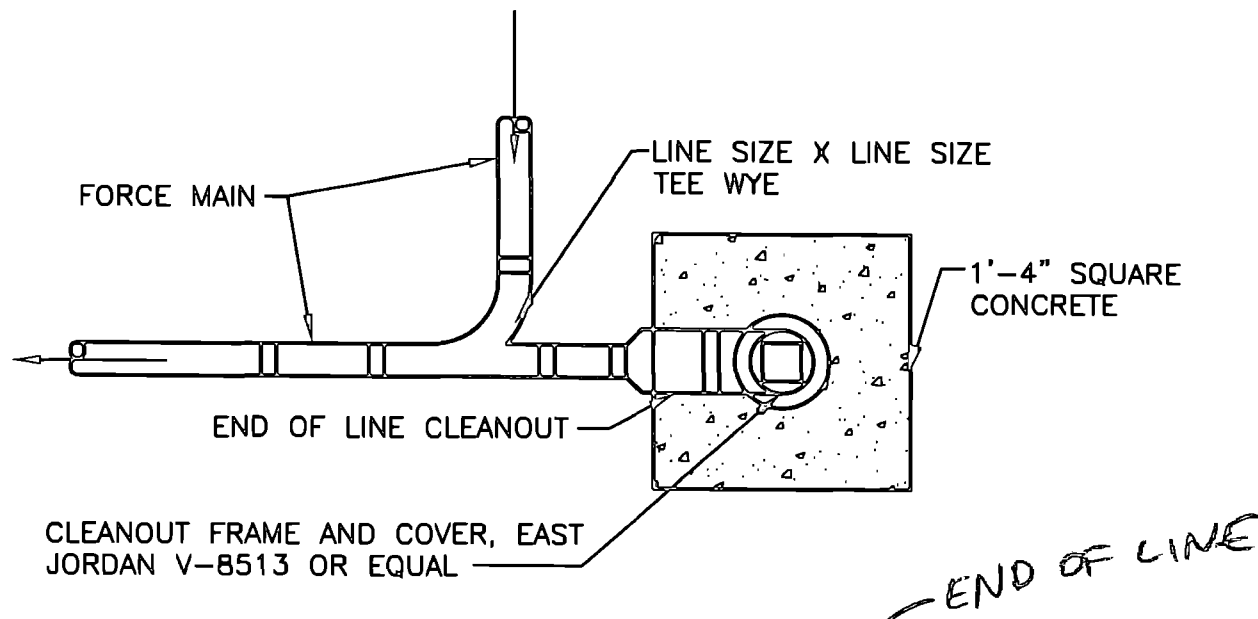
NOTE: Bidders shall note in writing on the Bid Form that this Addendum has been taken into consideration, identifying same as Addendum No. 1, dated September 1, 2009.



SECTION - TYPICAL IN LINE CLEANOUT
 SCALE: NONE

ADDENDUM 1

SANITARY SEWER SYSTEM OAK RUN DEVELOPMENT SPOON RIVER SANITARY DISTRICT	
Bruner, Cooper & Zuck, Inc. <small>Engineering • Construction • Inspection • Surveying</small> 101 E. Sherman St. Decatur, Ohio 43142 Ph: 302-343-9222 Fax: 302-343-9232 www.brunercooperzuck.com	
	JOB NO. 270194
DATE: 08/28/2009	




SECTION - TYPICAL 90° BEND W/CLEANOUT

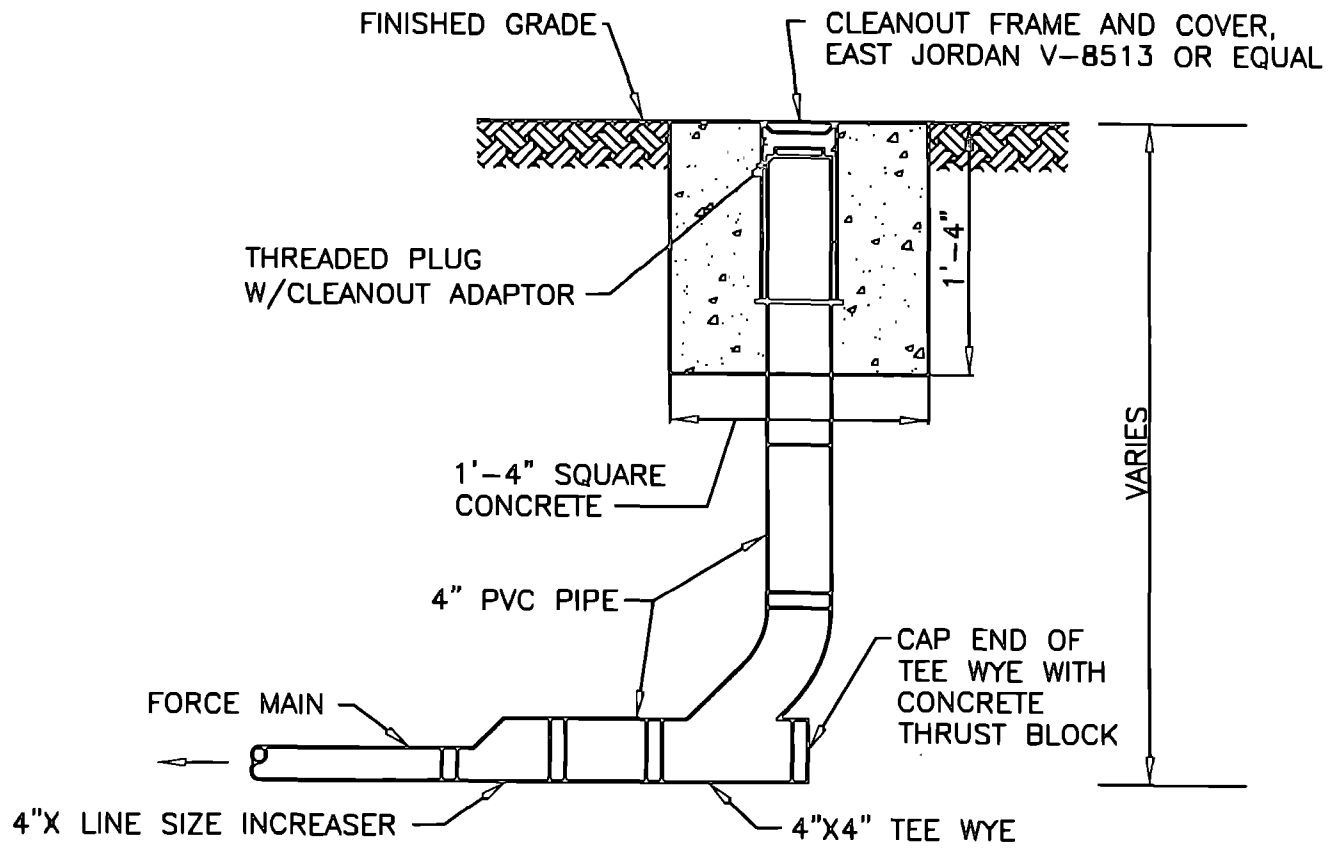
SCALE: NONE

NOTE: 22 1/2° & 45° WYES ARE SIMILAR

END OF LINE

ADDENDUM 1

SANITARY SEWER SYSTEM OAK RUN DEVELOPMENT SPOON RIVER SANITARY DISTRICT		
Bruner, Cooper & Zuck, Inc. <small>Quantity Engineers Structural Engineers Civil Engineers</small>		
		
<small>188 E. Stewart St. Decatur, Ga. 31402 Ph: 309-343-0222 Fax: 309-343-0232 http://www.brunercooperzuck.com</small>		
JOB NO. 270194	DATE: 08/28/2009	



SECTION - TYPICAL END OF LINE CLEANOUT
 SCALE: NONE

ADDENDUM 1

SANITARY SEWER SYSTEM
 OAK RUN DEVELOPMENT
 SPOON RIVER SANITARY DISTRICT



Bruner, Cooper & Zuck, Inc.
 Consulting Engineers Structural Engineers Land Surveyors
 168 E. Sherman St.
 Galesburg, Iowa 52402
 P/O: 319-343-0224 Fax: 319-343-5132
 brn@bruncozuck.com
 www.bruncozuck.com

JOB NO. 270194

DATE: 08/28/2009